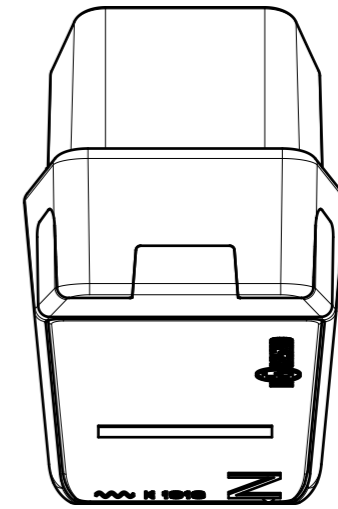
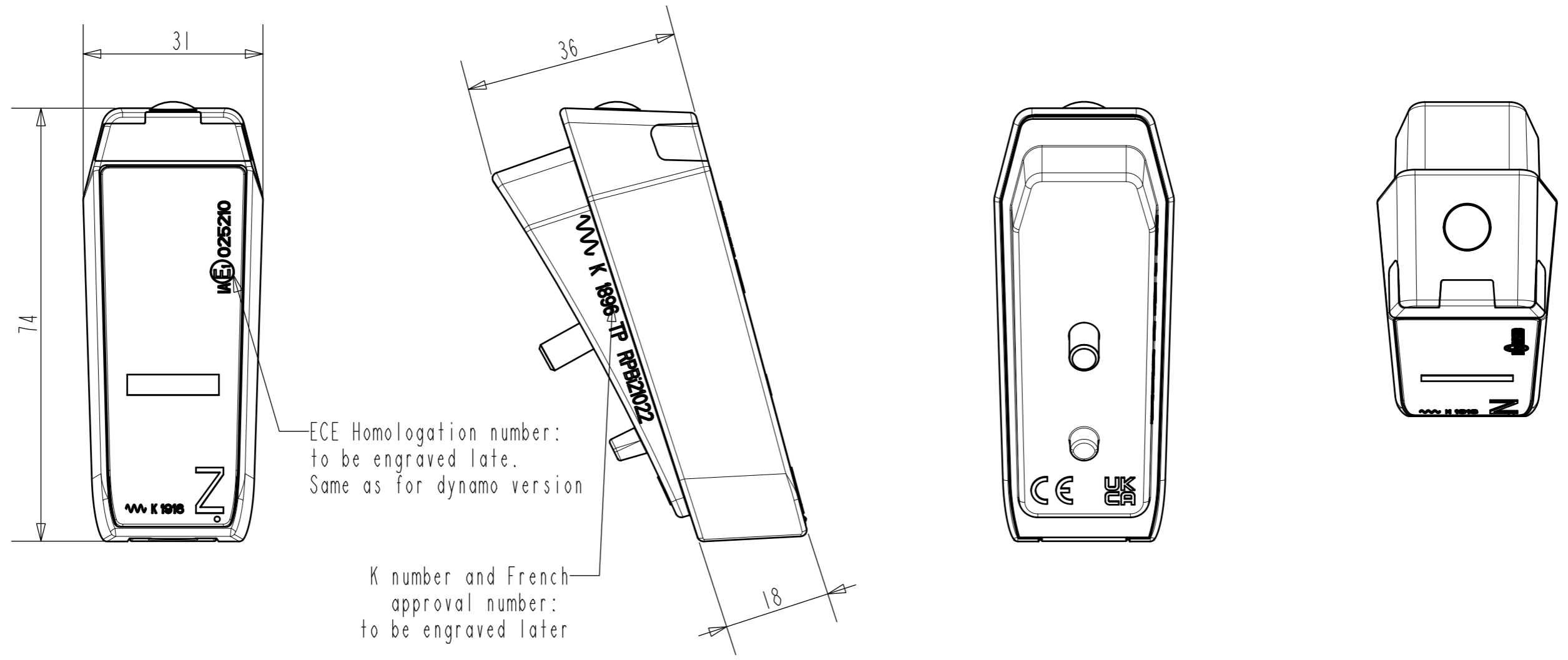
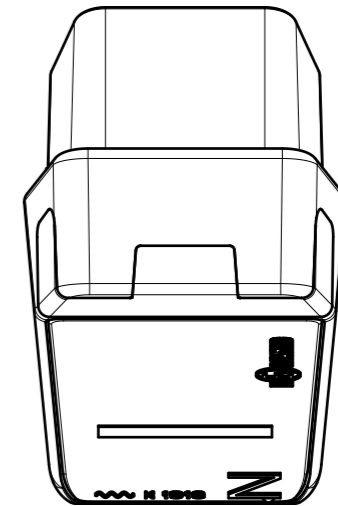
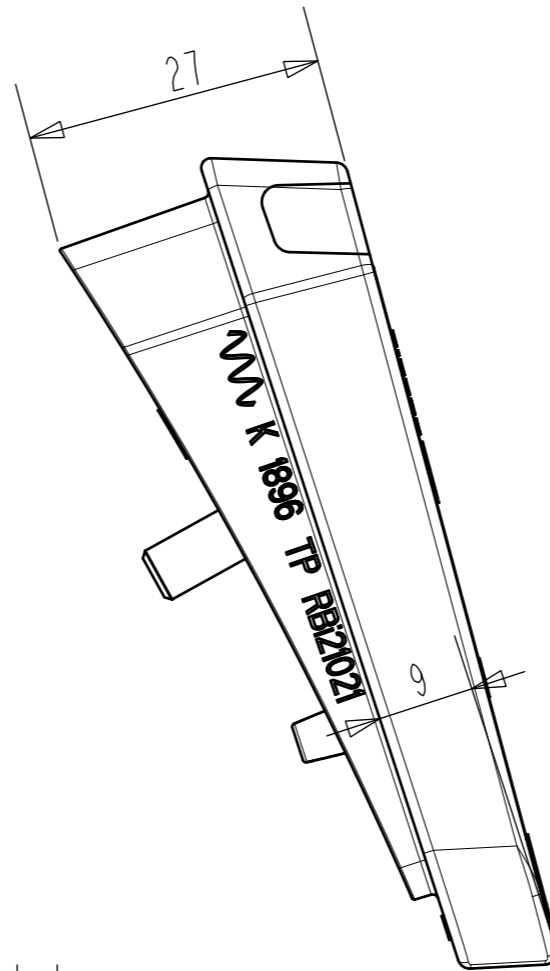
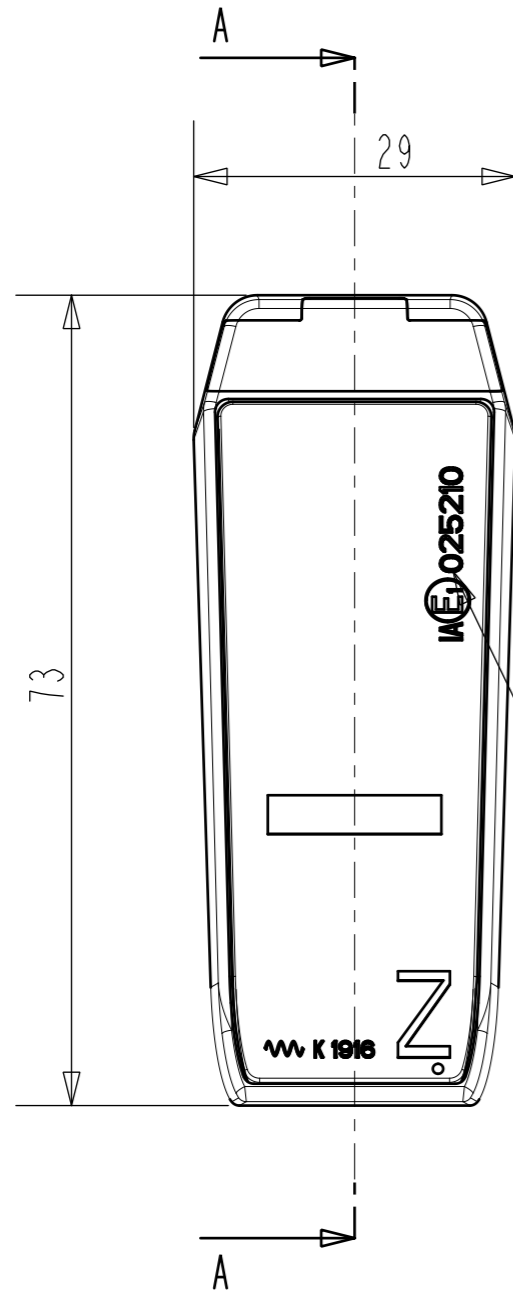


To be engraved later
(after building approval samples)







To be engraved later
(after building approval samples)