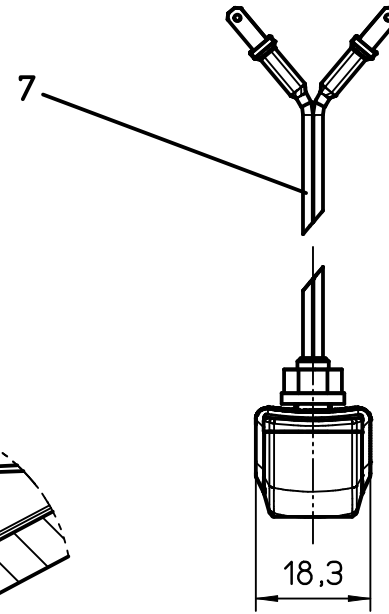
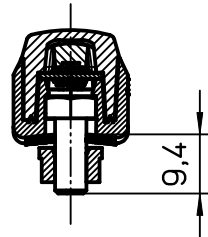
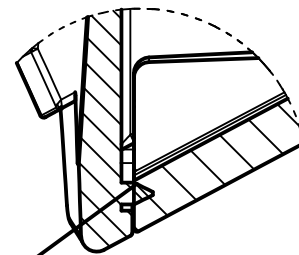


section B-B

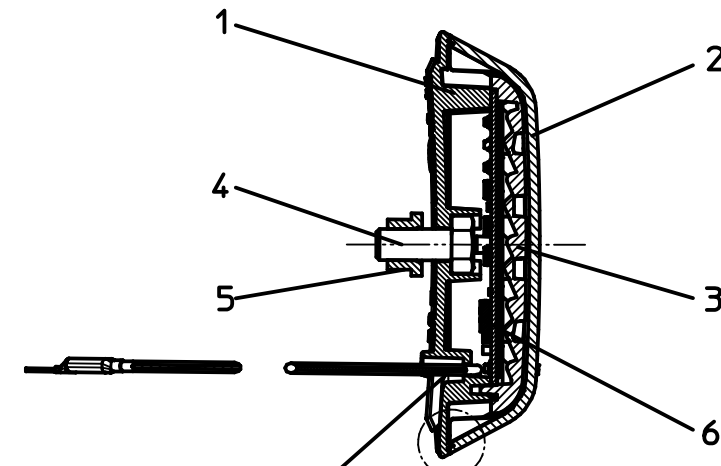


Ultrasonic welding

Detail Z
M 5:1

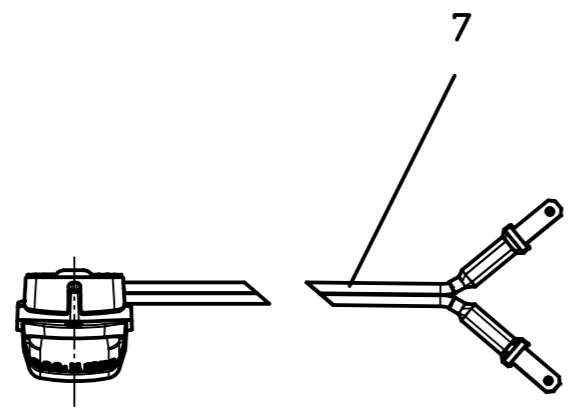
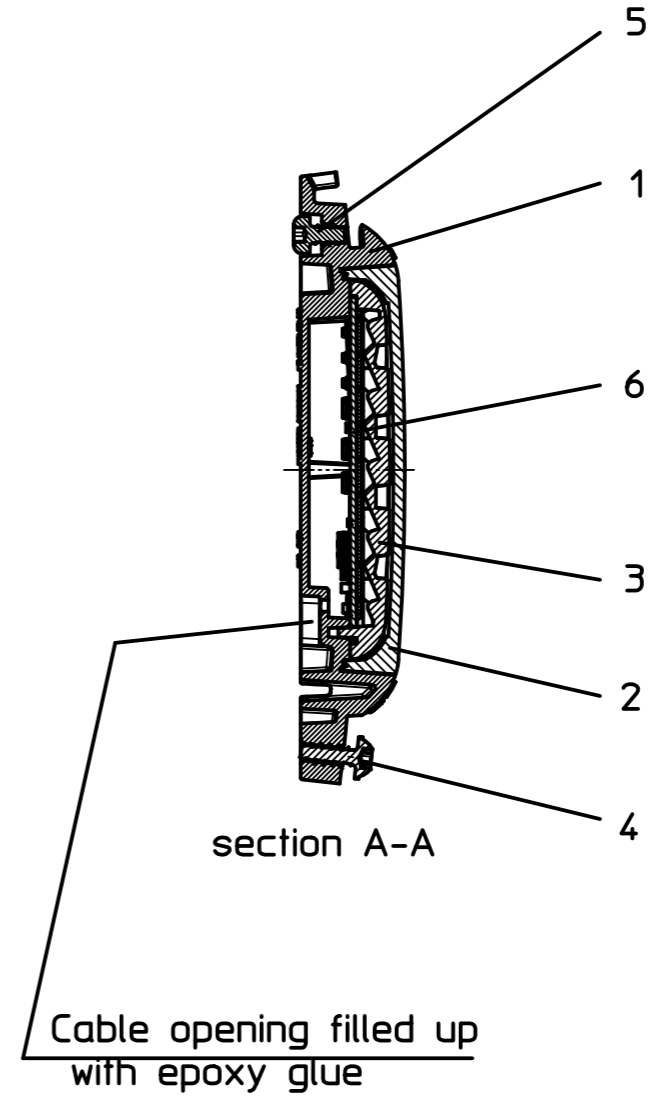
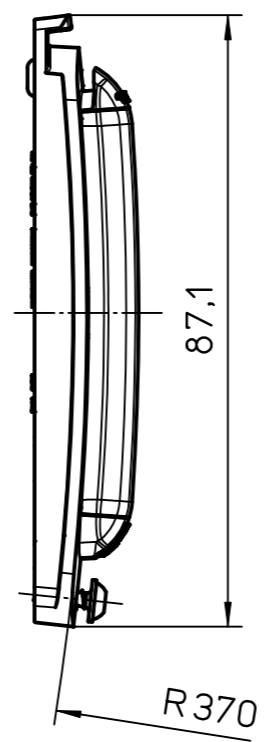
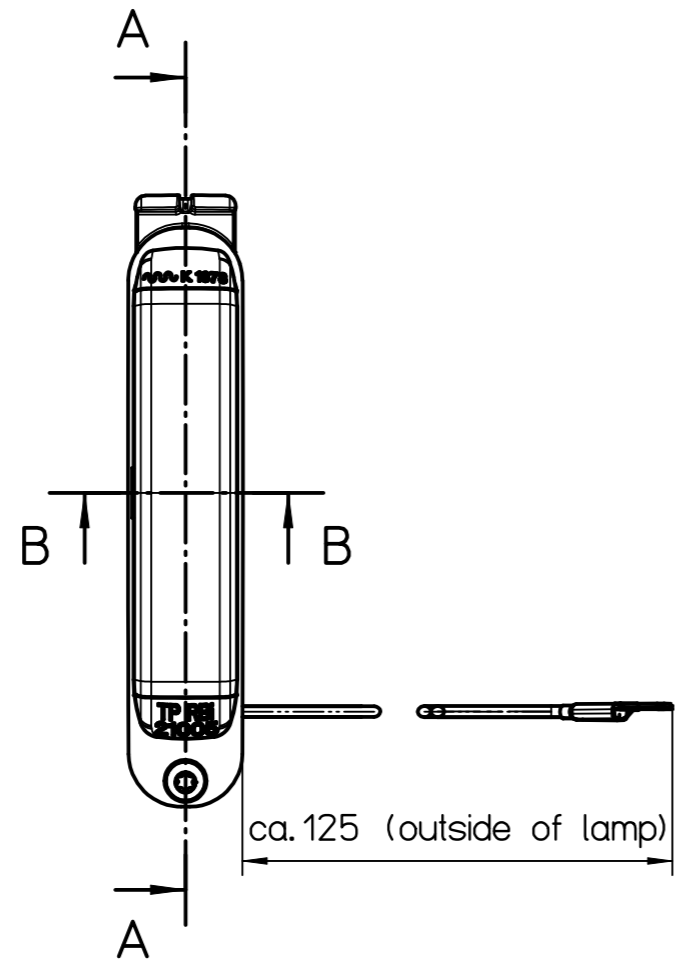


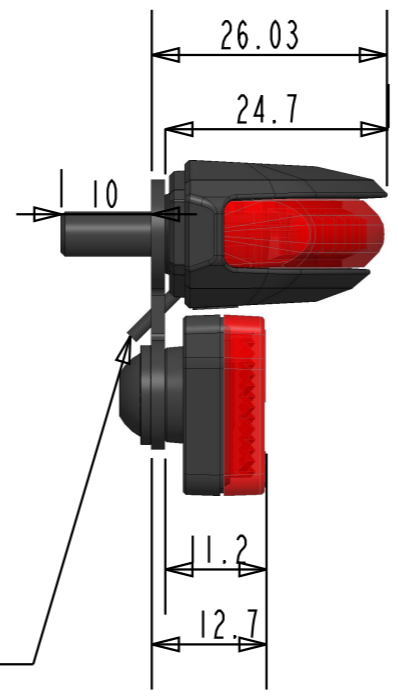
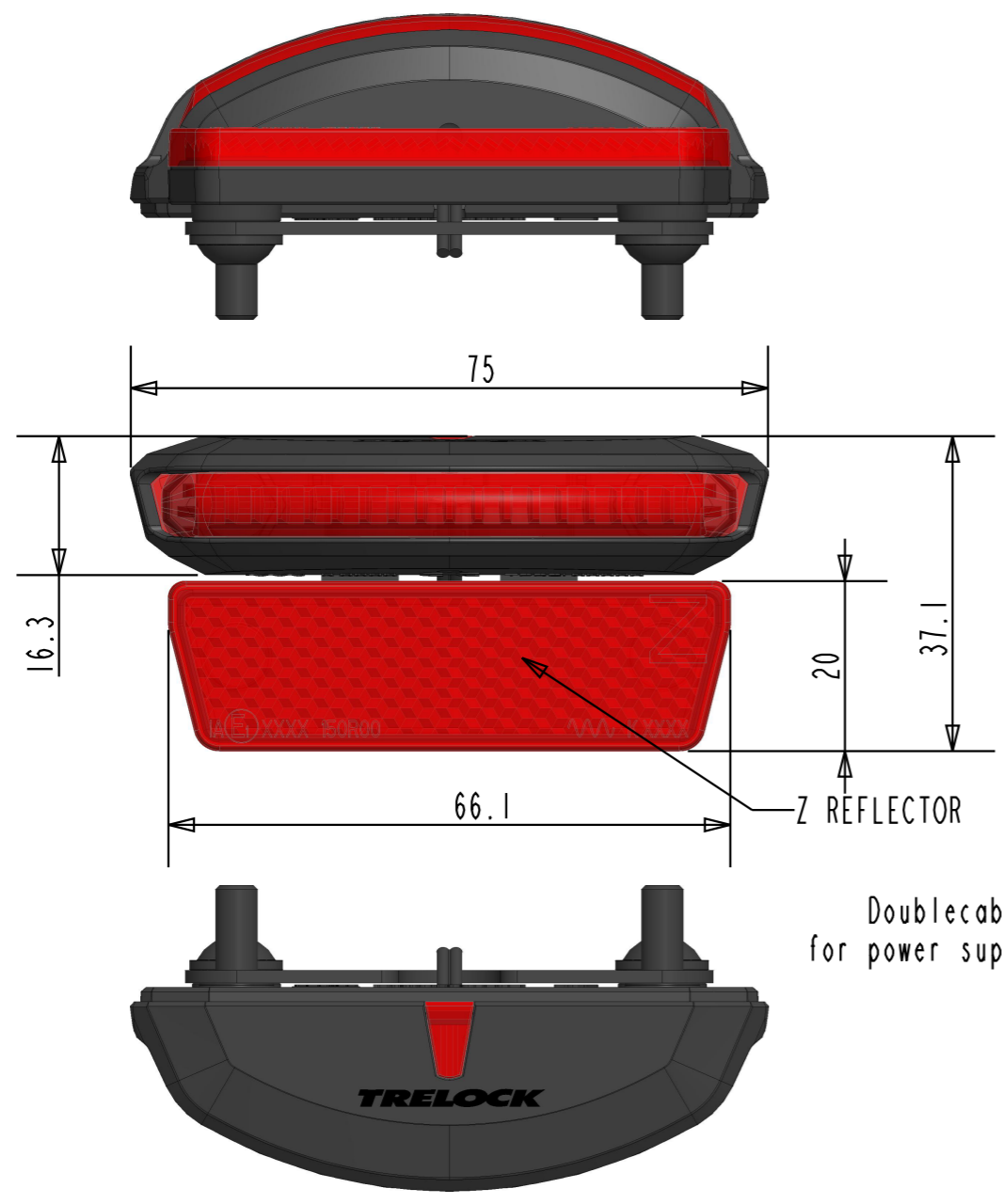
section A-A



Cable opening filled up with epoxy glue

Z





Doublecable
 for power supply

